

Gregory Shelter



- Fully pre-cut
- Timber or steel post options
- Detailed for long life
- Customised options available

Outdoor Structures

Australia (OSA) has developed a range of simple yet effective gable roofed shelters called the Gregory range.

The basic shelter is available in standard sizes of 4x4m, 6x4m and 10x6m. The roof frame can be supported in three different ways: our Pioneer Post (timber), on galvanised steel or Hardies architectural column.

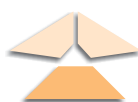
The Pioneer Post can be directly installed in the ground for lowest cost yet it is rated with a design life of 35 years. Many galvanised posts would not reach anything like this time span.

Alternatively, the Pioneer Post can be mounted in a heavy galvanised post support. The galvanised steel post option can be supplied powdercoated giving a wide range of optional colours.

The H3 treated pine in the roof structure is supplied standard with a coat of Jarrah Tanacoat penetrating oil. Painting is available at an extra cost. Pioneer posts have a sealing coat of Tanacoat Golden Oak.



OSA As an aid to designers, a dynamic CAD block is available from the Designers' Tools section of our website. With the click of a mouse you can choose any view and any post option for our standard shelters. Remember to save the file to your computer first.

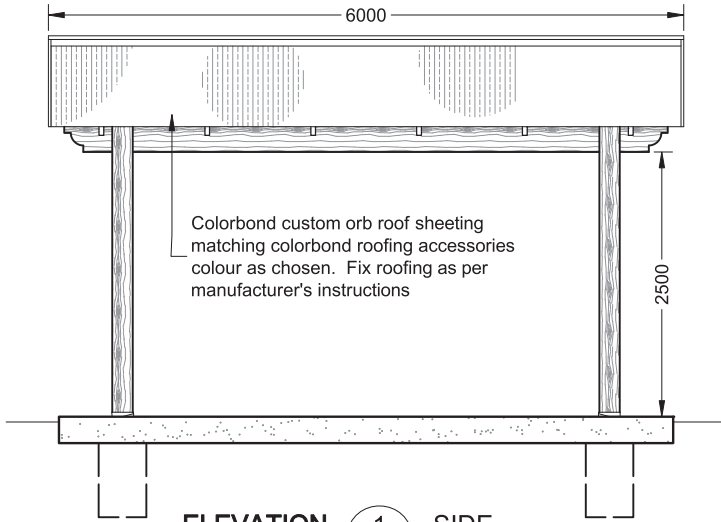


**Outdoor Structures
Australia**
outlasts and outperforms

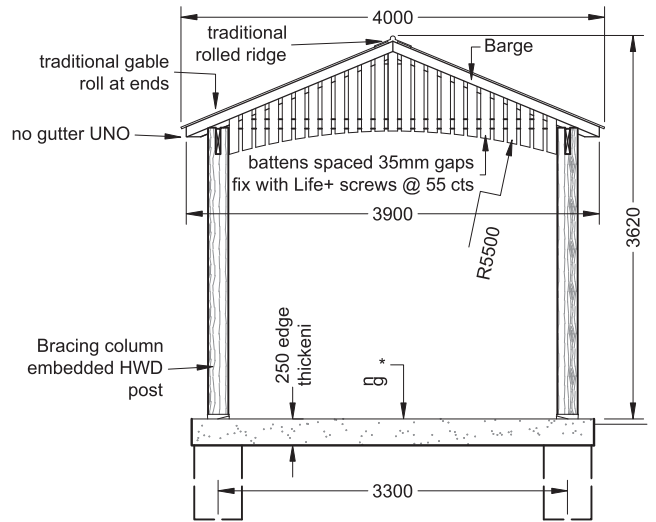
Old College Road, Gatton, Queensland 4343
PO Box 517, Gatton, Queensland, Australia 4343

Telephone: (07) 5462 4255
Facsimile: (07) 5462 4077

Email: ted@outdoorstructures.com.au
Website: www.outdoorstructures.com.au

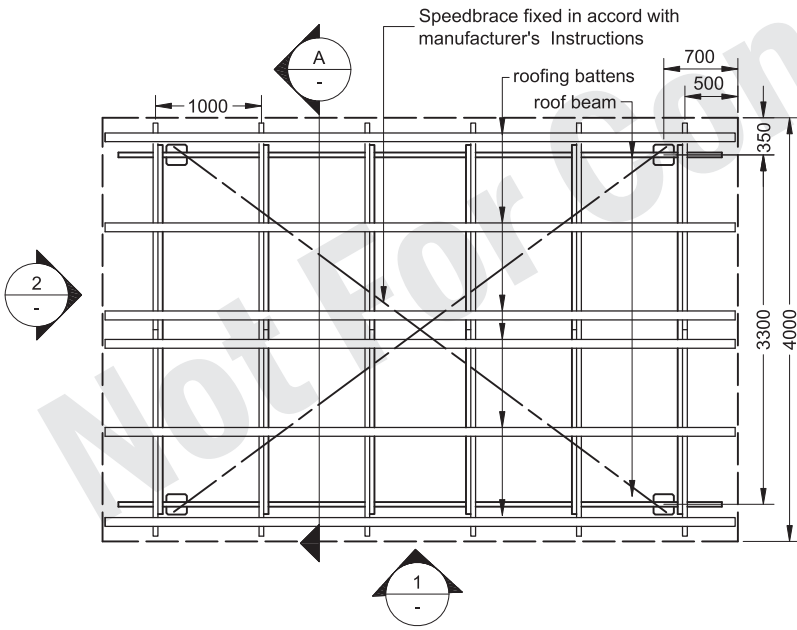


ELEVATION 1 SIDE
Scale: 1:50

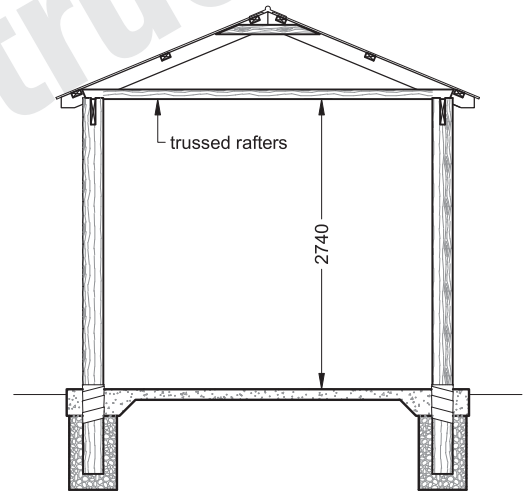


ELEVATION 2 END
Scale: 1:50

DESIGN METHODS
AS 1170, AS 1684
Wind N3, detached building, no walls. Free standing obstruction to wind under shelter max 1.2m high.
Non-habitable structure Class 10(a) (BCA).
AS 2870 - Class 'M' site soil classification.



PLAN ROOF FRAMING
Scale: 1:50



SECTION A
Scale: 1:50